

Wheeling the "A"



The official newsletter of The Wisconsin Chapter Model "A" Ford Club of America

VOL LI

ISSUE 12

CIRCULATION 313

DECEMBER 2010



DUES RENEWAL NOTICE INSIDE

It is the intent of the Wisconsin Chapter to serve as a medium of exchange of ideas, information, and materials for admirers of the Model A Ford and Model A era fashions; to help those admirers become better acquainted; and to maintain among its members the spirit of good fellowship and sociality through sponsored activities including the use of the Model A and family participation.

For more information log on to www.model-a-wis.com

Board of Directors 2010:

President: Mike Quam
414-491-3191 president@model-a-wis.com

Vice President: Gene Taurman
262-242-0137 vicepres@model-a-wis.com

Secretary: Sue Quam 414-491-3260
secretary@model-a-wis.com

Treasurer: Paul Piotrowski
262-513-1089 treas@model-a-wis.com

Outdoor: Dave Boucher 262-662-2273
outdoor@model-a-wis.com

Indoor: Steve Lewis 262-628-4587
indoor@model-a-wis.com

Technical: Roger Olsen 262-554-7058
techmeet@model-a-wis.com

Club Accessories: Bob Davisson
414-543-2424 sales@model-a-wis.com

Sunshine: Dave Huenink 262-378-4216
awards@model-a-wis.com

Volunteers for 2010:

Editor: Sue Quam
Home-262-785-9021 Cell-414-491-3260
editor@model-a-wis.com, msquam@wi.rr.com
embroidersue@yahoo.com

Webmaster: Carl Doro
414-259-9692 Webmaster@model-a-wis.com

Club Property: Rich Miller
262-782-2240 richandliz@peoplepc.com

Tool Keeper: Bill Storey
262-338-0452

Paid Advertising: Ed Schultz
262-251-3043

Distribution: Marilyn Brojanac
262-252-4340 marilyn@rodrian.com

Distribution: Lorraine Schultz
262-251-3043

Club Photographer: Barb Sonnen, Jo Lene
Jannsen and Peter Stauber

Video Librarian: Ron Smith
Home-262-628-3688

Club Historians: Art & Sue Blazek
262-538-4474 ablazek@wi.rr.com

ADVANCED TIMING SCHEDULED EVENTS FOR 2010-2011

2011 DUES ARE DUE... PLEASE USE THE RENEWAL FORM FOUND IN THIS ISSUE. See page 17

- Dec. 12 **Christmas Party** - St. Aloysius Church—Gonzaga Hall, 1414 S. 93rd Street, West Allis **See page 4**
- HAPPY NEW YEAR....2011**
- Jan. 9 **Custard Social** - Hostess Cheryl Prochnow St. Aloysius Church—Gonzaga Hall, 1414 S. 93rd Street, West Allis **See page 5**
- Jan. 20 **Technical Seminar** - Topic: Installing seat belts in a Model A
- Jan. 29 **Annual Banquet at Country Springs Hotel** – Hosts: Marty & Jo Lene Jannsen **See pages 6 & 7**
- Feb. 13 **Era Trivia Contest** - Hosts Mike & Sue Quam St. Aloysius Church—Gonzaga Hall, 1414 S. 93rd Street, West Allis **See page 7**
- Feb. 17 **Technical Seminar**– Topic: Repair what needs to be repaired in a Model A differential.
- Feb. 27 **Swap meet**– Washington County Fairgrounds **See page 8**
- March 13 **Ugly Sweater Contest—Indoor** - Hosts: Lynn & Dennis Wagner



ITS THAT TIME OF YEAR AGAIN, THE WI CHAPTER DUES ARE DUE.

The dues renewal form can be found on page 17 of this publication. Please fill it out completely and send it in with your check to the club secretary (address can be found on the form). **Please make sure to use the renewal form** and not the new member form. Also if you choose to receive your newsletter and roster via email, please make sure to include your email address on the form. Prices are the same as last year, \$20.00 for receiving your newsletter via email and \$30.00 to receive it via the US MAIL. **Make the check payable to WI CHAPTER MAFCA**, not to the club secretary. Thank you for all your help and cooperation.

Sue Quam

WI Chapter MAFCA Secretary



WE WANT YOU.....

Nominations are open for the board of directors and all volunteer positions. Contact a board member today to volunteer! Elections will be in January.

**Delavan Lake Boat Shed, LLC
&
J's Model A Shop**



Antique Boat & Car Restoration

SALES, SERVICE & REPAIR

Storage-All Seasons ~~ Pickup & Delivery Available ~~ Service & Repair ~~ Detailing

COME IN AND SEE OUR COLLECTION

5495 State Road Hwy 50 * Delavan WI 53115 * 262-728-5438

www.delavanlakeboatshed.com

MODEL "A" CHRISTMAS PARTY

Sunday, December 12, 2010

1:30 p.m.

Please join us for a festive afternoon. Activities will include a craft for the kids during the meeting, some holiday music in the background, a fun gift exchange, and a visit from "You-Know-Who".

Sally Kaufman will be accepting all of Santa's wish lists from the kids (Children age 12 and under). Please help Santa out by providing Sally the following information:

Child's Name, Gender, Age, Interests and Ideas

Deadline to register for Children's Gifts

Saturday, Nov 27th

All children must be registered. Gifts for children of members are free. Mail checks to Sally for all **non-member** children gifts-\$15/each. Send checks/info by **Nov 27th**. If you prefer to bring your child's gift yourself (up to \$15 value) rather than having us purchase it for him or her, please let us know. Bring it wrapped, put his or her name on it, and place it with the other wrapped gifts when you arrive. We still would like to have them registered so we have a head count of kids.

Sally Kaufman
587 Highland Court
Colgate, WI 53017
Phone: (262) 628-3003
waltsalk@execpc.com

For all the big kids (Age 13-113) we will have a White Elephant gift exchange. Bring a wrapped gift and join the fun. Only those bringing a gift will be able to participate.

Bring Cookies and Snacks for the food table.



Badger Plating Co.
Specializing in:

Custom Plating

Show Chrome • Gold & Brass
Auto, Truck Parts • Motorcycle Parts
Aluminum, Diecast • Antiques • Marines
Powder Coating Frames • All Colors • Clear Anodizing
Also Fix Bumpers • 5 Day Service Per Request
Hours: Mon- Fri 9-5PM

Stan
www.badgermetalfinishing.com
4021 S. Kinnickinnic Ave. (414) 482-4820
St. Francis, WI 53235 Fax (414) 482-4822
Email: badgermetal@sbcglobal.net



MIKE BROJANAC (414) 464-7814
All Work Guaranteed

THE BRAKE SHOP
7665 W. APPLETON AVE
MILWAUKEE, WI 53222
Complete Auto Repairing





Ho Ho Ho

*I want all you good boys and girls to have a wonderful Christmas, so if you want an early gift from your favorite jolly old fellow, make sure you are at the Model A Christmas party on the 12th of December. I'm checking my list twice
Santa*

P.S. Mrs. Claus says she would love to be there too.

JANUARY CUSTARD SOCIAL AND ELECTION

"DISCO FEVER IS BACK"

WHEN: JANUARY 9, 2011 AT 1:30PM

WHERE: ST. ALOYSIUS CHURCH-GONZAGA HALL

WHAT: Board of Directors elections and general meeting followed by custard social and some music of the 70s. We will also have some demonstrations of the dance of the 70s.

Please wear your **70s outfit** if you can and **bring your BEST (or WORST) picture from the 70s** with your name on the back.

Prizes will be awarded for best and worst picture.

WHO: CHERYL KOSER PROCHNOW
SALLY NEUENSCHWANDER
MARK ACKERMANN

ANY QUESTIONS CALL
CHERYL AT 262-646-9493



**Wisconsin Chapter of MAFCA
Annual Banquet
Saturday, January 29, 2011**

Location: Country Springs Hotel
2810 Golf Road (Off of I94 via exit 283 or 281)
Pewaukee, WI 53072
www.countryspringshotel.com

Hosts: Marty and Jo Lene Janssen

Theme: Era fashions. Prize for best dressed lady and gentleman

Entertainment: Easy Days Quartet (www.EASYDAYS.info)

Silent Auction: See **WANTED** silent auction in this issue on page 7

Agenda:

5 to 11pm – (Cocktails and wine – cash bar) (Beer and soft drinks – complimentary) Garden Terrace
5 to 8pm – Silent Auction - Meadowbrook room
5 to 6pm – Social hour - Garden Terrace
6pm– Dinner – Meadowbrook room
Program & Entertainment after dinner - Meadowbrook room

Reservations: (Make checks payable to WI Chapter MAFCA and mail to Marty Janssen, N34 W23895 Grace Ave. Unit A, Pewaukee, WI 53072)

\$20.00 per person *through deadline for count of January 24, 2011*

*******LODGING*******

Country Springs Hotel

*Arrival: Saturday, January 29, 2011; Check-in time after 4PM

*Departure: Sunday, January 30, 2011; Check-out time before 11AM

*Cancellation required 72 hours prior to arrival.

***20 rooms held for MAFCA (Standard Deluxe Non-smoking - \$119)**

*Reservations: Individual call-in. Call 262-547-0201 and identify yourself with MAFCA

*Reservations received after **Friday, December 31, 2010** will be provided on a space available basis at prevailing rates.

Rate includes access to The Springs at 2:00 p.m. day of check-in until close day of check-out (locker rooms are available in the Water Park for your use)

Rates include continental breakfast, wireless internet and free local calls.

A charge of \$10 per person will be added for each additional adult over two. Children 16 years and under may share the same room with parents at no additional charge.



**SNOWBIRDS REMEMBER TO LET THE SECRETARY
KNOW WHEN YOU ARE HEADING SOUTH**



WANTED....

Silent Auction items for Banquet

Do you have an auction item you would like to DONATE or OFFER?

Call Marty Jannsen at 262-696-4271 or email mjannsen@wi.rr.com
to describe the auction item

Helpers gathering auction items:

Stan Larson at 262-251-1655 or email weslpnt@aol.com

Bob Davisson at 414-543-2424 or email sdnbd@aol.com

Items donated by November 15th:

1. "The Ford Century" leather bound LIMITED EDITION book in case given to each person attending the 100th anniversary with an old Ford (this book was Stan Larson's) donated by Marty Jannsen
2. Seal beam conversion kit for Model A
3. Stuffed bears with Wisconsin Chapter MAFCA patch on chest
4. Left side and right side window regulators for Model A
5. Original Model A Ford Zenith cast iron carburetor donated by Roger Olsen and rebuilt by Richard Hansen
6. Print "Season of Miracles" by artist George Kovach
7. 2007 Holiday Heritage Collection (Frame Display with 5 1980's Collectible Pewter H-D Motorcycles) (Not intended for resale) donated by Marty Jannsen
8. Model A era advertisements donated by Wally Kaufman
9. Think Spring - Lawn & Garden Tools donated by Art & Sue Blazek
10. Model A Gatsby Hat, Die cast 1940 Ford Pickup (1/24th) in Packer Colors, Packer Pee Wee Football donated by Cheryl Prochnow
11. Omni Verifone Swipe Machine for charge cards with many rolls of paper donated by Stan Larson



WE NEED MORE ITEMS

How about some items of interest for our ladies!

Please call or email to make a donation to help the WI Chapter
THANKS!!

ERA TEAM TRIVIA **February 13, 1:30 p.m**

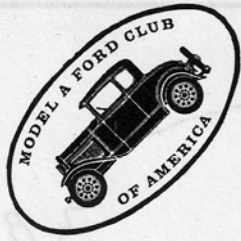


What occurred on May 24, 1935 at Crosley Field in Cincinnati, between the Cincinnati Reds and the Philadelphia Phillies? Answer: The first night game under lights

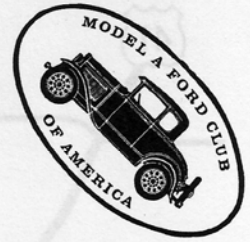
A plethora of categories gives all team members their strong subject and ensures the useless knowledge stored away will finally be put to good use.

Prizes in the form of restaurant gift certificates for first place, second and third place teams will be given. So brush up on your 20s and 30s history. We are working hard to stump you with some dandy questions.

Hosted by Mike & Sue Quam



46th ANNUAL
**GREATER MILWAUKEE AREA WINTER
 SWAP MEET**
 CAR RELATED ITEMS ONLY



WISCONSIN'S LARGEST INDOOR SWAP MEET
 CAR PARTS • FOR ALL MAKES • COLLECTIBLES

SUNDAY

FEBRUARY 27, 2011

8:00 A.M. to 2:00 P.M.

SPONSORED BY WISCONSIN CHAPTER MAFCA

WASHINGTON COUNTY FAIR GROUNDS
 3000 COUNTY HIGHWAY PV - WEST BEND, WI 53095

Volunteers Needed

HDR Inc. - Heavy Duty Radiator Repair

N56 W13332 W. Silver Spring Road
 Menomonee Falls, WI 53051

262-252-3920 FAX 262-252-3934

Bill Kowalefski



We Take Care of Leakers!
*Specializing in Any and All Kinds
 of Radiator Repair*

Templin's Old Time Auto, LLC

Model A Ford Parts New, Used, & Rebuild
 1022 Mulberry St./County A • Lake Mills, WI

We offer mechanical repairs - specializing in Model A's

Monday - Thursday
 4:30 pm - 7:00 pm

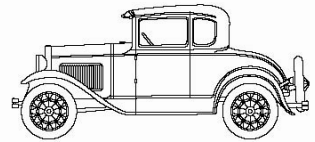
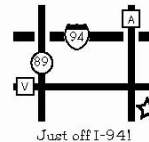
Saturday
 9:00 am - 4:00 pm

Friday - Closed
 By Appointment Only

Also Closed on
 Sundays, Holidays
 and Swap Meets

Orders can be faxed or e-mailed in at anytime

(920) 648-5282 - Phone • (920) 648-5920 - Fax
 jeff@oldtimeauto.net



www.oldtimeauto.net • Jeff Templin, Owner

**Milwaukee's
 Dry Stripping
 Headquarters**

Specializing in:

- Industrial Blasting and Painting
- Automotive Paint Stripping
- Metal Furniture Stripping and Refinishing
- Do It Yourself Sandblasting Cabinets

262.781.8884

4907 North 124th Street
 Butler, WI 53007

**U-SPRAY
 INCORPORATED**

Are You Interested in Buying a new Home or
 Selling your present Home?

Call Dave and see how much you can save !

FirstWeber Group Realtors
 David Dohmeyer, CRS, GRI, Broker Associate
 Office Direct (262) 251-7200 ext 1439
 Home Office (262) 251-0391

Sunshine Report:

Dan Kane was in the hospital for an electrical tune up on the heart. As of Nov. 18, Dan is back in the hospital.

Jess Janke is recovering from eye surgery.

Darrell Cornell had back surgery, is doing very well and is home.

Ron Smith has a cracked bone in a knee and is on crutches.

Emma Lynn Smith was chosen to travel abroad as a student ambassador and is going to Australia next year for 15 days, with other kids her age.

Dick Krueger, a former member and Club Officer of Wisconsin Region MARC. Dick was a current member of the Up North Club and still attended the Rapids Reunion.

Harold Omen of the Wisconsin Region passed away. He was a regular at the Wisconsin Model A Reunion until his health started to fail. His cars were usually winners in the car judging area.

If you have sunshine to report, please contact Dave Huenink at 262-378-4216 or by emailing: awards@model-a-wis.com



Welcome to New Members:

John Taurman
1170 Oriole Dr.
Oconomowoc, WI 53066

Lars Anderson
2961 Silver Cedar Rd.
Oconomowoc, WI 53066
1930 Model A in Bits & Pieces

Roy & Terry Feezor
7350 W. State St.
Wauwatosa, WI 53213

David & Sandy Dower
1731 Athaleen Ave.
Racine, WI 53403

Jay Boldt
7120 County Road C
Manitowoc, WI 54220
1928 Huckster

Gino Wagner
6018 S. New York Ave.
Cudahy, WI 53110



From The President

Holiday greetings to all!

We started our indoor season off with a fun filled afternoon of Polish poker and charity, We gave to the Sussex food pantry and the board of directors donated \$750.00 to some deserving Veterans. On an even better note our members present on Sunday donated another \$240.00 to add to the club donation. Thanks again to everybody! We are still in need of candidates for our board so if you would like to help your club, please contact me or any board member.

Earlier this month Sue and I went to Las Vegas for the SEMA show and once again it was a great show. The weather was fantastic, sunny and low 80s. The SEMA show is an automotive trade show that has virtually everything automotive new and old. As a side trip we traveled the old Route 66 in Arizona between Kingman and Oatman. What a fun ride with some beautiful scenery along the way. I highly recommend this for anyone that likes old Americana. Oatman, Arizona, is an old west mining town that is considered a ghost town and now survives on tourism. The street is full of wild burros that come from hills around town, still left over from the old west miners. The burros pan handle for food everyday from tourists and shop owners, and retreat into the hills at night. It's quite a sight.

As we approach the deer hunting season I wish all the hunters good luck and please be careful, I will be going myself so I can't attend the Waukesha Christmas parade again this year. Please support our club by attending as many events as you can, it's always good to see a crowd at our indoor events. Here's hoping you all have a happy and safe holiday season. See you at the Christmas party.

Mike

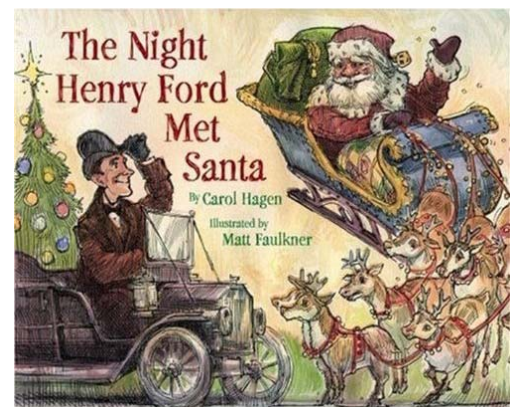


DID YOU KNOW..... There is a story booked called

The Night Henry Ford Met Santa

Carol Hagen & Matt Faulkner

Just before Christmas in 1908, Henry Ford was trying to find a way to make his Model T automobile more affordable for the average family when his little son Edsel suggested that Daddy write to Santa Claus for advice. The notion seemed reasonable to son and father because didn't Santa make toys for millions of children? Therefore he should be in a position to provide practical advice on producing inexpensive cars for ordinary families. Much to the surprise of Henry Ford, Santa replies to the letter with an invitation to visit the North Pole. It's when Henry sees the assembly line arrangement of Santa's Elves in the manufacturing of toys that he gets the idea to apply what he's seen and creates the world's first automobile assembly line. Carol Hagen's clever and original picture book story is nicely illustrated throughout by Matt Faulkner. The result is a wonderfully entertaining and highly recommended addition to family, school, and community library Christmas book collections and reading lists for children.



Wisconsin Chapter MAFCA General Membership Meeting Minutes for November 14th

Present: Dave Boucher, Bob Davisson, Sue Quam, Gene Taurman, Mike Quam, Steve Lewis, Paul Piotrowski, & Roger Olsen. Absent: Dave Huenink

President Mike Quam opened the meeting with the Pledge of Allegiance. Welcome to new members present. Nominations are open for the board of directors. To date no one has come forth to be on the board. We need a few people to step forward or the board will have to shrink in size or the club can disband.

Vice President Gene Taurman: We have many new members. Lars Anderson of Oconomowoc, David Dower of Racine, Roy & Terry Feezor of Wauwatosa, John Taurman of Oconomowoc, Jay Boldt of Manitowoc, and Gino Wagner of Cudahy.

Secretary Sue Quam: Minutes from last meeting March 14th were approved as written by Karen Sukkert and seconded by Bob Schaefer. Currently we have 289 members. To date 138 have paid dues, many have not. The dues are due.

Treasurer Paul Piotrowski: Treasurer's report was gone over. Paul commented on what being on the board is like. It's a great tool to meet people and this years, board has been very good. Kitty Schaefer asked if the board could explain what the board does and how elections are run to obtain which position a person will have. Job descriptions are available if someone wants to see them, contact Mike or Sue Quam. Dennis Wacker suggested we have volunteer person to contact members and ask them to volunteer.

Outdoor Meet Coordinator Dave Boucher: Stan Larson asked if people would be interested in doing a week long trip to the Upper Peninsula in July 2011. Dave B. reported the summer events were good, people had great ideas. The picnic was a success and had 55 kids. Thank you to everyone who ran a tour. The picnic and the Memorial Day overnigher need hosts.

Indoor Meet Coordinator Steve Lewis: Christmas party next month, so far only one child is signed up to come. Make sure to contact Sally Kaufman for child sign up. January is custard social, February is era trivia, March is an ugly sweater contest. Stan Larson spoke about the silent auction for the banquet. Carburetor builder Richard Hansen has donated his time to rebuild a carb that Roger Olsen has donated. Please donate some items to the auction. Contact Marty Jannsen, Stan Larson or Bob Davisson if you have items to donate. Jolene Jannsen reminds people to send in their banquet reservation.

Technical Meet Coordinator Roger Olsen: The Zenith carb rebuild seminar went well. January's seminar is on putting seat belts into a Model A. February is on putting together a differential. Pass along any ideas you have for seminars.

Club Accessories & MAFCA Correspondent Bob Davisson: Items on the table are for sale. Bob D. says participating on the board is fun.

Sunshine & Awards Dave Huenink: Mike Q. gave report in Dave's absence. Dan Kane was in the hospital with heart issues and Jess Kanke had eye surgery. Stan L. reports that Darrell Cornell had back surgery and is home doing well. Laura S. reports Ron Smith is on crutches due to a knee issue and Emma Lynn Smith will be going to Australia next year for 15 days as a student ambassador.

Old Business: Changing the By Laws, Article III, Section 2, Paragraph A. Remove #1 (First year - red on yellow badge) and adjust to #2 to read "first to ten years". Article V, Section 5 remove the word "telegram". Motion made by Ed Schultz and seconded by Kitty Schaeffer to make the changes as described. Vote taken change passes unanimously.

New Business: Nominations for the board are open. At last board of directors meeting the board donated \$500.00 to MAFFI towards the Model A Museum. We will donate another \$500.00 after MAFFI breaks ground on the new museum. In wanting to do more with charities, the BOD decided to donate \$750.00 to the veterans. We will be helping out three different families by giving them gift cards. Dave B. put out a can to collect donations for the veterans.

The Rapids Reunion will be chaired by Eric Haban, our club is responsible for chairing the raffle and seminar this year. Rapids committee is asking if people want to keep awards to the metal strips for the plaque boards or change them to Olympic medal type awards. 6 say keep it the same 11 said change them to hanging medals. Roger will advise the committee on the decision. Book your hotel rooms now for reunion.

The swap meet is coming along. The west building is full and the east one is 2/3 full. Roger has flyers for people to pass out.

Motion to adjourn made by Stan Larson and seconded by Jim Kummer.

Submitted by Sue Quam
WI Chapter MAFCA Secretary.

Reminiscing with the Historian

FIFTY YEARS AGO, 1960 - An indoor meet was held at Tyrolean Town House on Highway 100. After enjoying a movie, a form was distributed to everyone to come up with a name for our newsletter.

FORTY-FIVE YEARS AGO, 1965 - A Christmas party was held at Hubbard Lodge on Morris Blvd. A puppet show was presented for the children and Santa passed out gifts.

FORTY YEARS AGO, 1970 - Chuck and Marie Hickling hosted the Christmas party, held at Aloysius Hall. Santa handed out presents to the children.

THIRTY-FIVE YEARS AGO, 1975 - The Camelot Room at Bowlord on Burleigh St. Was the setting for the Christmas party. A magician entertained the children. A brake rebuilding seminar was held at Avenue Brake Shop.

THIRTY YEARS AGO, 1980 - Marilyn Bartel played the accordion and everyone sang along at the Christmas party, held at the Red Carpet Lanes. There was also a puppet show and Santa.

TWENTY-FIVE YEARS AGO, 1985 - The Christmas party was held at Gonzaga Hall.

TWENTY YEARS AGO, 1990 - At Gonzaga Hall, Otto Last helped make the Christmas party enjoyable for all.

FIFTEEN YEARS AGO, 1995 - Dan and Joyce Staehle and Barb and Ray Wevers hosted the Christmas Party at St. Aloysius.

TEN YEARS AGO, 2000 - We were entertained by the "Fabulous Fend" and Santa at the Christmas party. The children brought in pictures of their pets and family members for the craft corner.

FIVE YEARS AGO, 2005 - Mike and Sue Quam and Tony and Karlene Sillman hosted the Christmas party. Some new features this year were the white elephant gift exchange and special guest Oopslaw, who entertained us with her stories and activities.

Submitted by Art and Sue Blazek

Happy Holidays



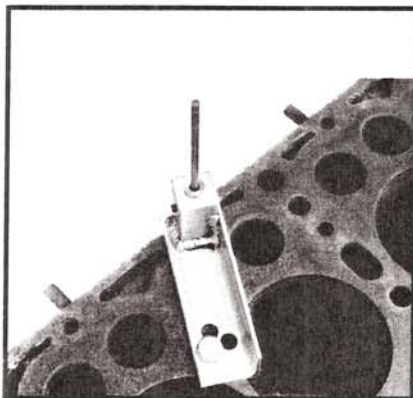
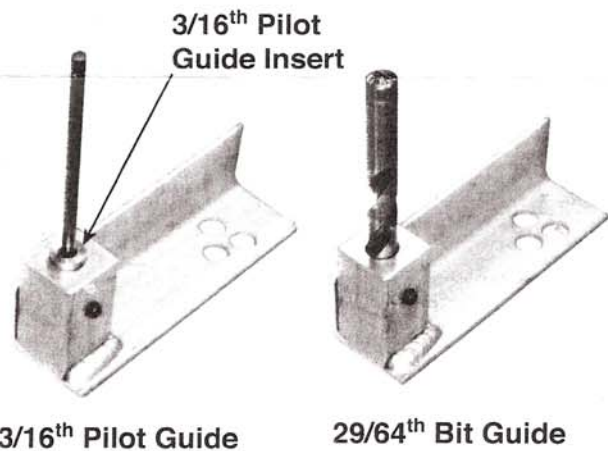
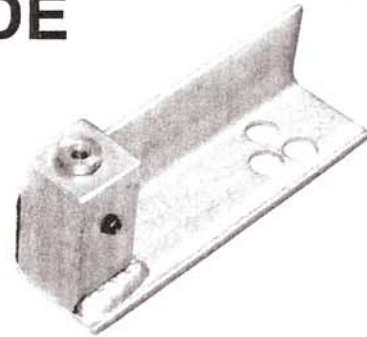
HEAD STUD DRILL GUIDE TOOL

This tool is a drill guide for a 29/64th bit to drill out a head stud for installation of a Heli-Coil. There is also a 3/16th insert drill guide to center drill a broken stud.

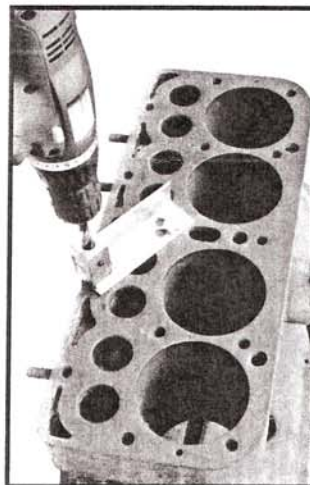
The drill guide tool includes the 29/64th drill bit guide, an insert sleeve for the 3/16th drill guide, and a 3/16th guide drill bit.

The drill guide is placed over the stud hole to be drilled. One of the three holes on the back side of the tool will line up with another stud hole. Use a 7/16-14 x 1" bolt through one of the three holes in the tool, into a stud hole to hold the tool rigid for drilling. For a broken stud, insert the 3/16" guide in the tool and use the provided 3/16 bit to drill a pilot hole. Remove the 3/16 guide and use a 29/64 bit to drill out the damaged threads. Tap the hole for a 7/16-14 Helicoil.

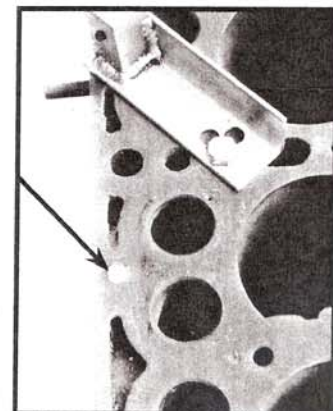
This Tool will be available at most major parts suppliers in June 2008.



Drill Guide with Pilot Bit



Drilling Stud Hole For HeliCoil



Broken Stud Hole Center Drilled with Guide Tool

Looking in the Rearview Mirror

Rebuilding A Zenith Carburetor Wisconsin Chapter, Inc. MAFCA Technical Seminar

I had no idea we were getting the BEST Zenith carburetor restoration person I have ever seen when I asked Dick Hansen if he would do a technical seminar for us. Dick demonstrated how he uses all of his home made devices as he restored a Zenith carburetor at our seminar. Dick double checks every function of the Zenith carb to be sure parts are in excellent working order. The very last thing Dick will do is to put the carb on his Model A and test drive it down the road to be sure all parts are in excellent working order. When Dick is sure all parts are working effectively, then and only then will he return the carburetor to the owner.

Dick is a member of our Wisconsin Chapter and lives just over the border in Kenosha. Dick has generously contributed his services to rebuild a carburetor for the silent auction at our January banquet.

We had a great turn-out for our October seminar and thank everyone who took time to come. We appreciate Dick Hansen sharing his expertise with us.

Plan to come to our January 20th, 2011 Technical Seminar at Mail Truck Model A and see how to install seat belts in a Model A.

Roger Olsen, Technical Chair



Looking in the Rearview Mirror

8 Model A's turn out for a brisk Veterans Day parade

It was dry but chilly as club members once again took part in the Milwaukee Veterans Day parade on Nov. 6.

Unlike 2009, when the mercury reached 71 degrees, this year club members were bundled up as temperatures were only in the 40s with a slight breeze. Our group assembled as usual at Miss Katie's Diner near Marquette University for breakfast and good conversation more before heading to the staging area, this year at Sixth and Kilbourn, for the 11 a.m. parade.

Club members participating were Gene Taurman and his son Jon, Bob and Kitty Schaefer, Wally and Jan Klager, Dave and Donna Boucher and their friends Dick and Chris Bachmann, Carl Doro and his grandson Dominic, Stan Larson, Bob Greco and his son Robbie, and Neil Besougloff. Wally, who has been a club member for more than 50 years, wore part of his original military uniform.

Although we normally give rides to several dignitaries from the Wisconsin AMVETS organization, this year the AMVETS had a conflict with an event in Appleton and we only had two AMVETS couples ride with us. – Neil Besougloff



Club members' cars are lined up on Kilbourn Street with the Milwaukee skyline in the background.



Kitty Schaefer points to the AMVETS "commander" sign; he rode in the Schaefer's car.



At left: Stan Larson's pickup was decorated with flags and a club banner.

Looking in the Rearview Mirror

First fall indoor meet was held in the small hall at St. Aloysius on November 14th, with 50 plus people in attendance. It was kind of a cool, damp, dreary day that ended in rain when we left. After we got caught up with the business of the last 8 months and information on future events it was time to have some fun.

Thanks to all the generous folks who came with bags of food and personal items for the Sussex Food pantry and donated \$68.00 to go toward buying more items for those in need. We started to play Polish Poker, this is a very simple game to play even though we had some folks who didn't read or listen to directions. But eventually we got everyone on the right track and from the laughter coming from each table it sounded like everyone had loads of fun. Each player who had the highest number of pennies at the end of the round was awarded with a small token. After three rounds we totaled up all the points to see who the big winners of the day were.

They were:

1st Place: Emmalyn Smith and Mary Flynn w/ 139 pts.

2nd Place: Marilyn Brojanac w/ 135 pts.

3rd Place: Kitty Schaefer w/ 120 pts.

We also had three losers:

Bob Heinrich w/ 5 pts.

Stan Larson w/ 5 pts.

Sue Blazek w/0 pts



The above winners and losers were awarded with the money collected. Congratulations to all.

As your chairperson I want to thank you for your generosity not only for your Food Pantry donation but also for your donation to the Veterans and for coming out and making this event a total success.

There are many people in this community that are in desperate need and it does the heart good when those of us who are bless with some of the better things in life help those who are less fortunate, Thanks again.

May all of you have a Blessed Christmas and

Happy New Year

Your Chairperson,

Karen Suktter



DETACH and MAIL TO CLUB SECRETARY

2011 MEMBERSHIP DUES RENEWAL NOTICE

All members should send renewal notice to the club secretary by January 1, 2011
Please make sure you complete the attached form and return it with your dues.

Please use Dues Renewal Form ONLY, not new member form.

**Dues: \$20.00 receiving the newsletter & roster via email.
\$30.00 receiving newsletter & roster via first class mail.**

Make checks payable to: **Wisconsin Chapter MAFCA**

Mail your payment with detached form to:

Sue Quam – Club Secretary
16130 W. Top-O-Hill Dr.
New Berlin, WI 53151

If your dues are not paid by January 1, your name may not appear in the Wisconsin Chapter Roster and you WILL NOT RECEIVE THE NEWSLETTER UNTIL YOUR DUES ARE PAID.

I wish to receive my newsletter **via email (\$20.00)** _____
(make sure to list your email address on this form)

I wish to receive my newsletter **via US Mail (\$30.00)** _____

Please PRINT LEGIBLY, so all your information can be processed correctly.

NAME: _____

ADDRESS: _____

CITY _____ STATE _____ ZIP _____

PHONE: _____ EMAIL ADDRESS: _____

COLLECTOR CARS OWNED: _____

MIKE'S REPAIR SERVICE

Model A Ford and Early Mustang
Parts and Service

Mike Quam, *Owner*
16130 Top-O-Hill Drive
New Berlin, WI 53151

Visa and Mastercard Accepted
(414) 491-3191 • (262) 785-9021

OPEN
Monday-Saturday
10:30 am
to
7:00 pm



Closed
Sunday's

3146 S. 27th St

AUTOMOTIVE ENGINE REBUILDERS

"Where Quality Matters" **INC.**

COMPLETE MACHINE SHOP SERVICE • ENGINE PARTS
BALANCING • CRANKGRINDING • CUSTOM MACHINING
INDUSTRIAL • HIGH PERFORMANCE • CLASSICS

1604 Arcadian Avenue
Waukesha, WI 53186
(262) 521-2250



Donny Kompas
Operations Manager

www.ENGINE-REBUILDERS.com

a Division of Automotive Engine Rebuilders, Inc.

Specializing in Sales and Service
of Enclosed, ATV, Snowmobile
and Utility Trailers



WWW.AERTRAILERSALES.COM

1604 Arcadian Avenue
Waukesha, WI 53186
(262) 521-2250

Authorized Dealers for:
Pace American
Triton, Karavan
Newman's Sled Bed

Livin' the "A" Life...

Marty Jannsen, CPA



Collector of Practically Anything



JANNSEN + COMPANY

CPA & Accounting Services Human Resources
Information Technology Payroll Specialists
Wealth Management

262.513.9292 • 262.513.9282 fax

Marty.Jannsen@jannsen.com

www.jannsen.com

Wisconsin Chapter Member
Al Downs

Mail Truck Model A



Providing all of your Model A needs
8509 S. Howell Ave
Oak Creek, WI 53154
414-762-7288

We now offer shipping and Model A Service

CLASSIFIED ADS:

Classified ads, such as the ones seen here are free. To place your ad please contact the editor, Sue Quam at 262-785-9021 or by emailing your ad to: msquam@wi.rr.com Ads run for one month unless notified to run them again.

Wanted: Radiator Stone Guard and Quail Motometer for 1930 Model A. Call Mark at (608) 850-5933.

For Sale: 30-31 welled front fenders, \$425/pair; 30-31 gas tank, \$100; 30-31 Firewall, \$50; super nice 30-31 radiator shell, \$250. Call Jim (608) 845-8409.

For Sale: 31 Chassis, including frame, front end, rear end, motor and radiator. Mostly complete, but disassembled. \$700. Call Jim (608) 845-8409.

For Sale: Herb Dargel's 1931 Model A Ford Coupe, Washington Blue w/Tacoma Cream wheels, professionally painted. Rumble seat, LaBaron Bonney interior, rebuilt balanced engine, 12V system, over-drive, w/w tires, rear spare - just completed, never driven. Also 1926 Model T Ford Roadster w/Ruckstell rear end, rear disc brakes, wire wheels. Excellent shape. Contact Jerry Dargel to see and for pricing. (H) (608) 356-7646 or (C) (608) 393-1864.

For Sale: Seen on side of road for sale, north of Columbus. 1931 Tudor Sedan, looks to be in very good condition, \$7750 OBO. 1928 Coupe, was not there but pictured. Call (920) 382-7422 or (920) 210-8199

For Sale: 1928 Model A Ford Phaeton, a nice older restoration. This is an AR Early 28 car, which is also rarer of the Model A's, in addition, this car was built by Ford in Canada. It has special features such as Robertson Screws, Leather Interior, etc. The Phaeton has a large back seat which makes it great for weddings, and is also a nice family car. Very dependable, a nice 45 MPH touring car, we've taken many road trips around the state with it. Restoration is an original Style mirroring the way it came off the assembly line in 1928. \$18,500/OBO. Contact Eric Haban (920) 860-2441, Erwin Haban (920) 682-6877 (X-1140), or e-mail erichaban@yahoo.com.

For Sale: Misc. Model A Parts. Contact John Curtius 262-618-4510

For Sale: 1929 AA ford Truck 131. Closed cab, dual drive transmission, stake body with rotating fast hand hoist. \$5000 Call Bill Barg (715) 258-7864 or (715) 281-7864

Wanted: Antique Chassis Dyno Contact Barney (715) 325-6969

For Sale: 6 volt positive ground alternator with mounting hardware for Model A \$125.00 Ed Wagner (608) 584-4858 or (608) 770-2388

If anyone has a Model A for sale they can contact me and let me know. I constantly have people looking for cars and may be able to help sell your cars. Al Downs 414-762-7288

NEED HELP WITH YOUR "A"? QUESTIONS THAT YOU NEED ANSWERS TO??



Call our technical advisers :
Wally Kaufman 262-628-3003
Roger Olsen 262-554-7058
Mike Brojanac 262-252-4340



Wheeling the "A"

Wisconsin Chapter MAFCA
Marilyn Brojanac, Distribution
N61 W15975 Beechwood Dr.
Menomonee Falls. WI 53051

Address Service Requested



DUES RENEWAL FORM ENCLOSED

New Membership Application

Name _____ **Date** _____

Address _____

City _____ **State** _____ **Zip** _____

Phone(_____) _____ **E-Mail** _____

Child or Children's names _____

Model A's _____

Send my newsletter via email _____ or US MAIL _____

*Dues for 2010 for the Wisconsin Chapter, MAFCA:
Receiving the newsletter & roster via the internet is \$20.00
To receive the newsletter and the roster via the US Mail (first class) the
dues are \$30.00 New member applications are approved at the
monthly Board of Directors meeting, which is the second
Saturday of the month. You will receive a welcome letter upon
approval. Dues include membership only in the
Wis. Chapter MAFCA until the end of the current calendar year.*

Make checks payable to Wis. Chapter MAFCA

*The Wisconsin Chapter MAFCA, Inc. recommends that you consider
joining the National Model A Ford Club of America with the
additional dues of \$40.00 payable to them.
Subject to change by National MAFCA and /or Wisconsin Chapter.*

Send To:

Gene Taurman
Vice President/New Member
Chairperson
Wisconsin Chapter, MAFCA
PO Box 26006
Wauwatosa, WI 53226-0006
Phone 262-242-0137

****December 2010****